

PHILIPS

EP4341/50
EP4343/50
EP4343/70

EP4346/70
EP4349/70



Cod. 882879650011
Cod. 882880350011
Cod. 882880370011

882880670011
882880970011

POS	12NC	DESCRIPTION	NOTE	POS	12NC	DESCRIPTION	NOTE
101	421945006761	WATER TANK CONNECTOR V2 OMN		134	421941306721	3 POLES CONN.WATER LEV.CAP.OMN UL ASSY	
102	421944086411	COFFEE SPOON OMN		135	421946045821	WATER TANK OMN ASSY	
103	421946017941	KLUBERLUB NH1 11-222 TUBE 5GR.		136	421944083001	DEEPBLK WATER CONT.HAND.COV.OMN/H-T	EP4341 - EP4343/50
104	421940402711	STICKER FOR WATER HARDNESS TEST			421944094561	WATER TANK HANDLE COVER OMN/H-T - PAN-THERA -Q1	EP4343/70 - EP4349
105	421945015261	CENTRAL STRUCTURE OMP/B ASSY			421944094531	WATER CONT.HAND.COV.SILV.SPEC.OMN/T	EP4346
106	421945014111	BLK CASING BOTTOM V2 OMP/B ASSY		137	421944082891	BLK INS.FRONT UPPER CASING COVER OMN/B	EP4341 - EP4343/50
107	421324705256	FOOT			421944094541	INS.FR.UP.CAS.COV.PANTERA OMN/T	EP4343/70 - EP4349
108	421941106891	BLK POWER CABLE SCHUKO L=1200			421944094511	INS.FR.UP.CAS.COV.SILVER SPEC OMN/T	EP4346
109	421945026331	KIT MAIN+SW APP OMP 230V		138	421945009581	BLK SOCKET INSERT FOR CAS.BOTTOM OMP/B	
110	-	WATER TANK OMN ASSY		139	421945008631	IEC CONNECTOR OMN ASSY.	
111	421944083011	WATER TANK HANDLE OMN/H-T	EP4341- EP4346 - EP4349				
	421944091941	WHIS WATER TANK HANDLE OMN/T-H	EP4343/50 - EP4343/70				
112	421944082861	BLK DRIP TRAY OMN/B					
113	421944094551	DUMP BOX COV.PANTERA OMN/T	EP4343/70 - EP4349				
	421944082871	BLK DUMP BOX COVER OMN/H-T	EP4341 - EP4343/50				
	421944094521	DUMP BOX COV.SILV.SPEC.OMN/T	EP4346				
114	421944083121	BA/SS GRATE FOR DRIP TRAY OMN/B					
115	421944088751	FLOATER OMN/B					
116	421944082881	BLK DUMP BOX OMN/B					
117	421944082821	TR/GRY BEAN COF.CONT.LID W/SEAL OMN/B					
118	421944084601	NAT/GRY GROUND COF.HOPPER LID OMN/B					
119	421944085401	GRINDER SETTING KNOB OMN					
120	421945015271	M/BLK UPPER CASING COVER V2 OMN/B	EP4341 - EP4346 - EP4349				
	421945015281	WHIS UPP.CAS.COVER V2 OMN/B	EP4343/50 - EP4343/70				
121	421944082982	LATERAL DOOR V2 OMN					
122	421944082991	RIGHT PANEL OMN	EP4341 - EP4346 - EP4349				
	421944092611	WHT RIGHT PANEL OMN/H-T	EP4343/50 - EP4343/70				
123	421945009561	BLK BACK PANEL OMP/B	EP4341 - EP4346 - EP4349				
	421944092631	WHT BACK PANEL OMN	EP4343/50 - EP4343/70				
124	421944082921	BLK LEFT SIDE COVER OMN/B	EP4341 - EP4346 - EP4349				
	421944092591	WHT LEFT SIDE COVER OMN/B	EP4343/50 - EP4343/70				
125	421944082901	BLK FRONT UPPER CASING COVER OMN/H-T	EP4341 - EP4346 - EP4349				
	421944092531	WHT FRONT UPP.CAS.COV.OMN/H-T	EP4343/50 - EP4343/70				
127	421944082901	BLK LID FOR WATER CONT.VALVE V2 P0049					
128	421944040061	BLK GASKET FOR WATER CONT.VALVE V2 P0049					
129	421944040781	BLK WATER CONT.VALVE INSERT V2 P0049					
130	421944040071	SS SPRING FOR WATER CONTAIN. VALVE P0049					
131	421941157841	WHT WATER CONTAINER EXT.FILTER ASSY					
132	996530029115	SCREW TCB TORX 3,5X30 PLAST.ZN-B					
133	421940212391	CPU+SW WATER LEVEL SENSOR V3 ASSY.					

IMPORTANT REPAIR INSTRUCTIONS: Only use genuine Philips spare parts to replace critical components.

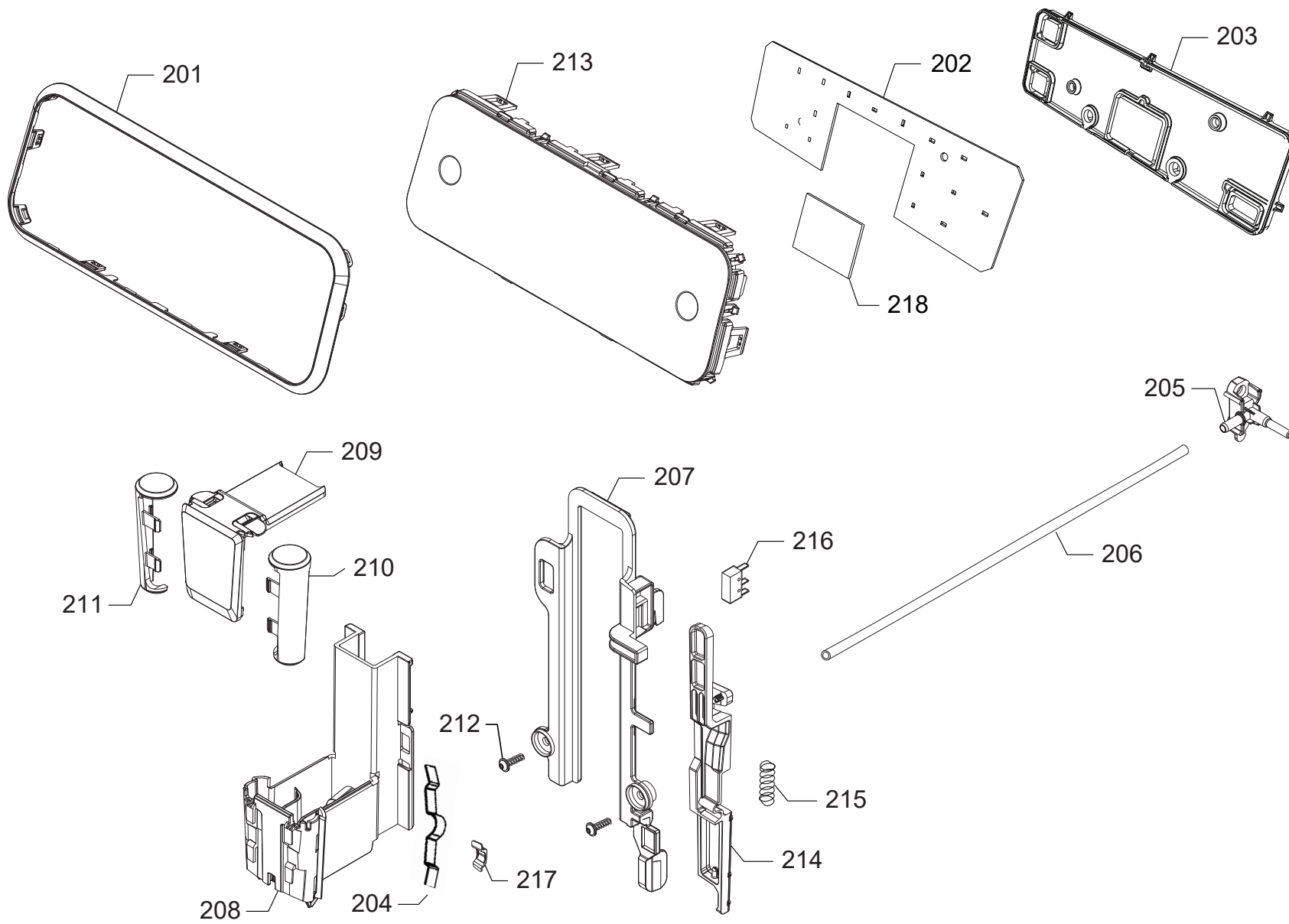
The warranty of your Philips product is void if you do not use genuine Philips spare parts to repair critical components of your appliance.

The critical components are indicated with a warning triangle ⚠ in the service exploded view and/or service manual.

PHILIPS

EP 4000 CMF

TABLE 1/6



PHILIPS

EP4341/50
EP4343/50
EP4343/70

EP4346/70
EP4349/70



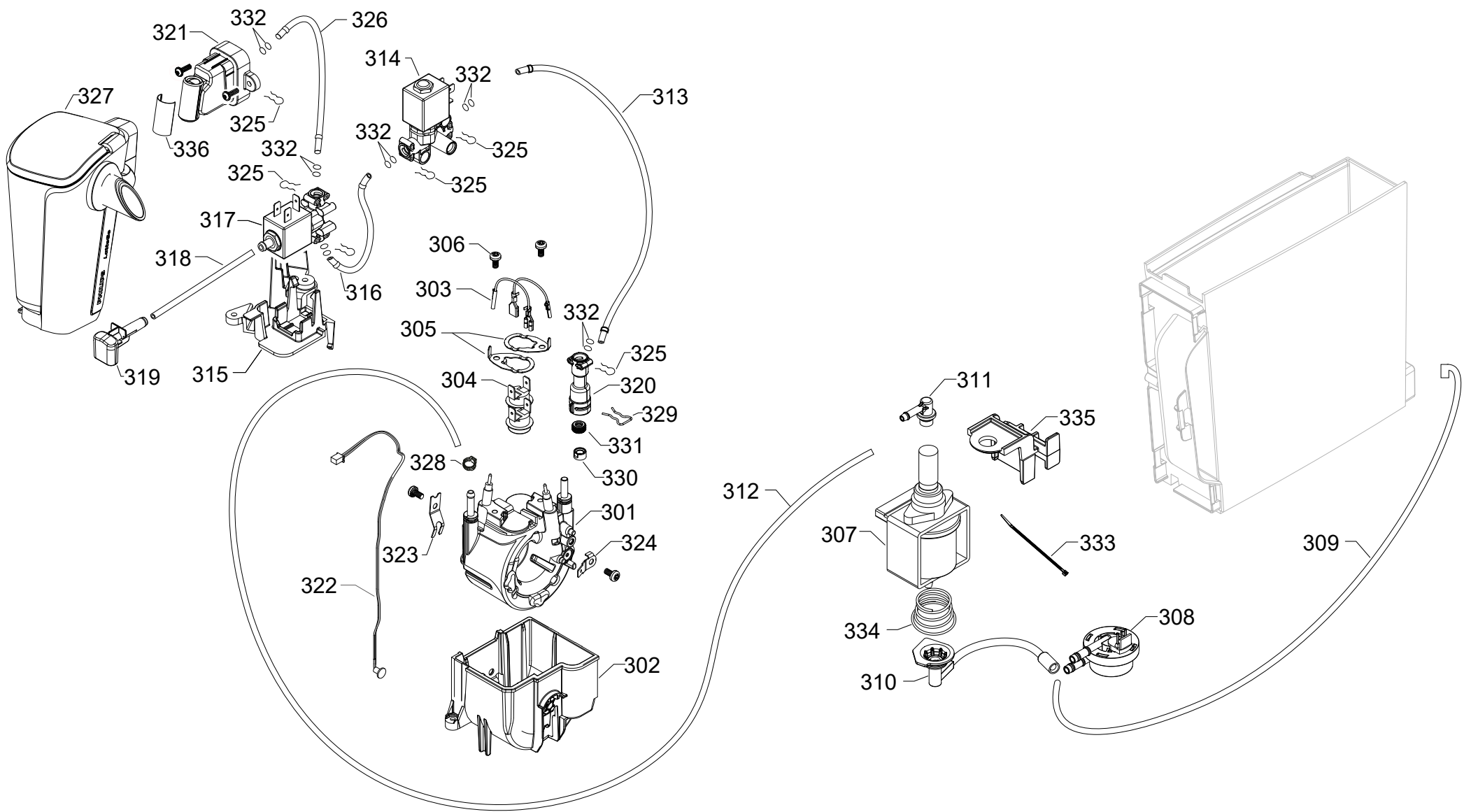
Cod. 882879650011
Cod. 882880350011
Cod. 882880370011

882880670011
882880970011

POS	12NC	DESCRIPTION	NOTE	POS	12NC	DESCRIPTION	NOTE
201	421944083161	CHR.UI FRAME OMN/T					
202	421945026381	KIT UI+SW APP GOOD OMP/H					
203	421945004341	BLK BACK COV.UI NO LED OMP/B-H					
204	422224000542	SPOUT SPRING					
205	421944085411	BLK BREW UNIT COFFEE OUTLET CONN.OMN/B					
206	421945001461	SILICONE TUBE 4X6.5 L=245 MM					
207	421944088081	COF.DISPENS.SUPP.OMN/B					
208	421945022601	BLK COF.DISP.EXT.MOB.PART V2 OMN/B					
209	421944090431	BLK UPP.COV.COFF.DISP.S/SCR.OMN/B					
210	421944088691	CHROM.RIGHT SIDE INS.COF.DISP.OMN/B					
211	421944088701	CHROM.LEFT SIDE INS.COF.DISP.OMN/B					
212	421940220061	SCREW TCBR TORX 10 3,5X12 PLAST.ZN-N					
213	421945009511	BLK FRONT PANEL UI OMP/H					
214	421944085422	DUMP BOX MISCROSWITCH LEVER V2 OMN					
215	421944092961	MICROSWITCH LEVER SPRING OMN					
216	421946043193	CONN.MICROSW.DOOR OMN UL ASSY V3					
217	421945006071	WHT COFFEE DISPENSER SLIDER OMN/B					
218	421945012661	DISPLAY TFT 2.4 IPS					

PHILIPS

EP 4000 CMF



PHILIPS

EP4341/50
EP4343/50
EP4343/70

EP4346/70
EP4349/70



Cod. 882879650011
Cod. 882880350011
Cod. 882880370011

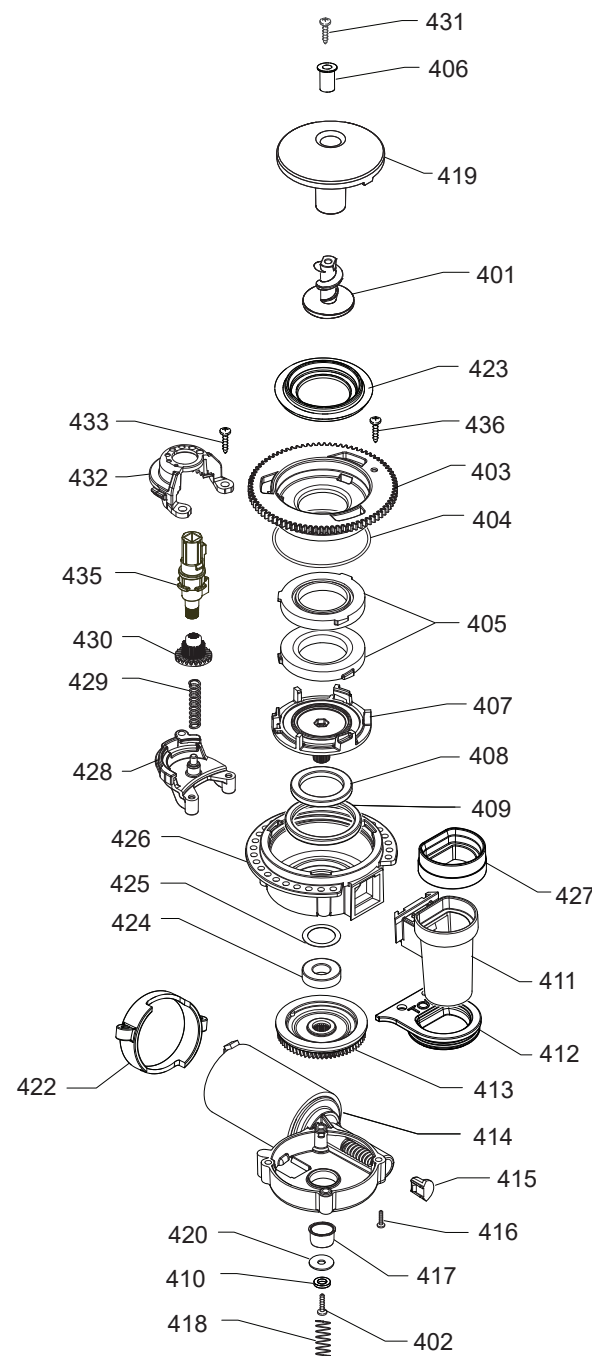
882880670011
882880970011

POS	12NC	DESCRIPTION	NOTE	POS	12NC	DESCRIPTION	NOTE
301	421944082941	THERMOBLOCK OMN ASSY					
302	421944082951	THERMOBLOCK SUPP.OMN					
303	421946043141	THERMOBLOCK WIRE ASSY					
304	262279998757	THERMOSTAT OPEN/CLOSE 190/-35DEGC B					
305	422224002162	FUSE CLAMP					
306	421940212071	SCREW TCB TORX 20 M4X8 AUTOFORMING ZN-B					
307	421941305991	ULKA PUMP EP5FMGW 230V-50HZ					
308	421940207701	TURBINE D=1,2 932-9521/B ASSY.					
309	422224708411	FM INLET HOSE					
310	422224708391	FM OUTLET HOSE					
311	421944090251	BLACK 90°CONNECTOR PUMP OUTLET PHI2200					
312	421944065471	PINK 5X8,9 SILICONE TUBE L=140 MM					
313	421944091581	TEFLON TUBE 2X4 L=200MM+2BUSH 7/7 ASSY					
314	421944082931	EV OMN ASSY					
315	421945001451	SUPP.3WAY_VALVE OMN/T					
316	421941128281	TEFLON TUBE 2X4 L=180 MM ASSY					
317	421945001441	PLAST.3W.EV V395VN20PA02					
318	421945001911	SILICON TUBE 5X8 70SH L=470MM					
319	421945002121	DISCHARGE CONNECTOR OMN/T					
320	422224777122	TB INLET CONNECTOR					
321	421944089051	SS HOT WATER DISPENSER OMN/T					
322	421946046921	NTC WIRE ASSY					
323	422224002171	NTC CLAMP					
324	422224006891	EARTH TERMINAL					
325	421941058941	SS FORK FOR TUBE D.4					
326	421945001651	TEFLON TUBE 2X4 L=210 MM ASSY.					
327	421945016221	TR/BLK PREM.GEN.CARAFE SW ASSY					
328	421940221091	OETIKER EAR CLAMP 16707295 009.6-505					
329	422224002241	FORK FOR D=8MM					
330	422224777092	TB SEAL SPACER					
331	422224708381	THERMOBLOCK SEAL					
332	421940213841	OR 2015 IN SILICONE PTFE/FDA					
333	421940213981	SELF LOCK STRIP W=2.6 L=200					
334	422224002181	PUMP SPRING					
335	421944088662	PUMP RUBBER SUPPORT V2 OMN					
336	421944083571	SS STEAM SPOUT COVER SMRE/MH					

PHILIPS

EP 4000 CMF

TABLE 3/6



PHILIPS

EP4341/50
EP4343/50
EP4343/70

EP4346/70
EP4349/70



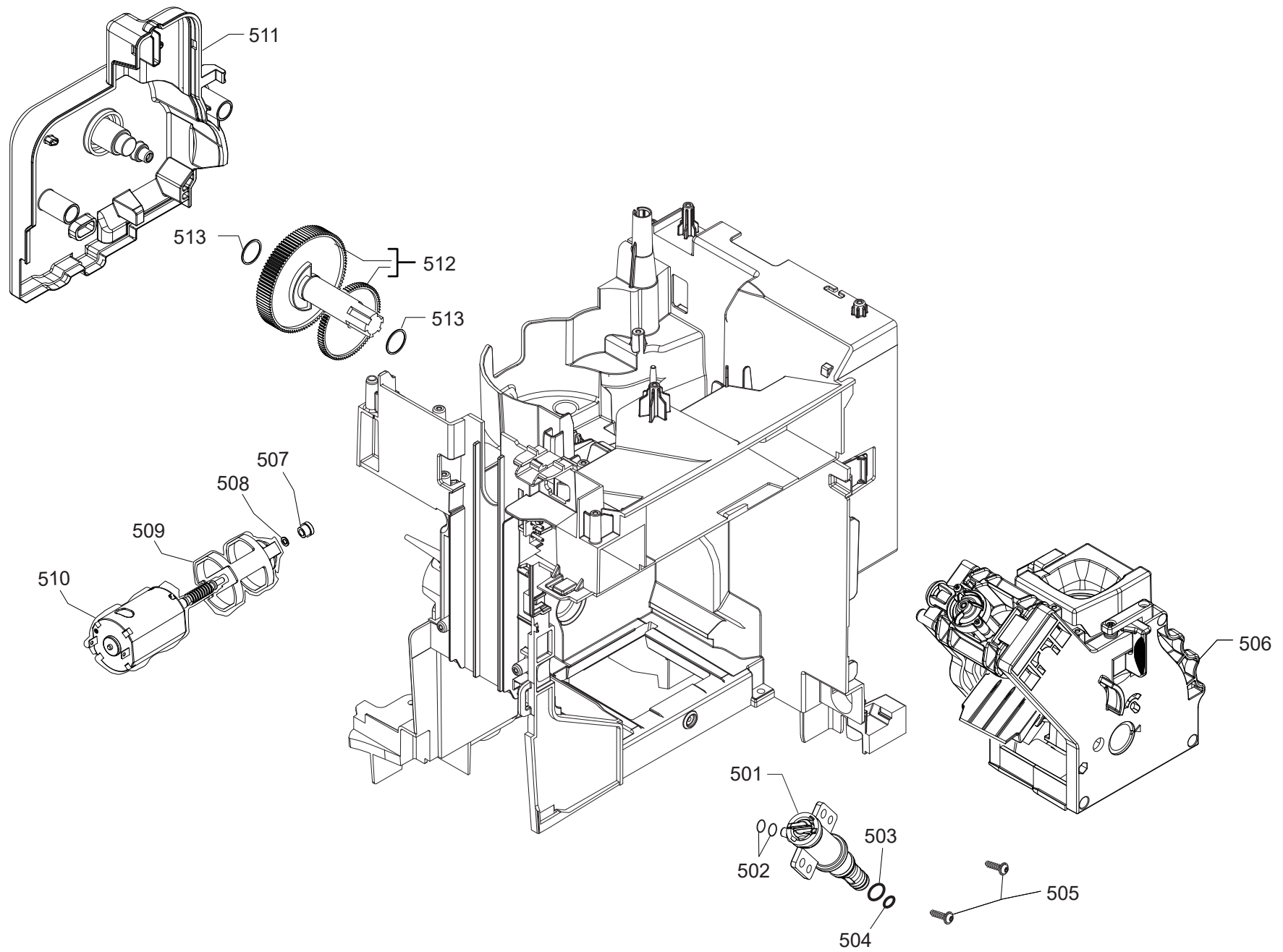
Cod. 882879650011
Cod. 882880350011
Cod. 882880370011

882880670011
882880970011

POS	12NC	DESCRIPTION	NOTE	POS	12NC	DESCRIPTION	NOTE
401	421944032692	GRIVORY INCREASE SCREW GRINDER V2					
402	421940212111	SCREW TCB TORX 20 M4X30 ZN-B					
403	421944053581	BLK COF.GRINDER UPPER GRINDER SUPPORT V3					
404	421941076131	OR ORM 0530-15 NBR FDA					
405	421941087711	BAKED CLAY GRINDER 48X28					
406	421944079881	BRASS BUSH BEAN CONT.FINGER PROTEC.FTR/B					
407	421941094161	BLK COF.GRINDER LOWER GRINDER SUPPORT V3					
408	421940210471	AXIAL BEARING EKKO 342.35252					
409	421941076221	FELT RING 45,4X39,4X4					
410	421940211181	GALV.WASHER UNI 8842 A4					
411	421941230122	BLK GROUND COFF.OUTLET CONVEYOR V4 ASSY.					
412	421944060561	GRY GROUND COF.CONT.LOWER SEAL V2 SMART1					
413	421945006091	GRY GEAR SX Z=38 FOR GRINDER MOTION					
414	421944078831	MOTOR COFFEEGRINDER V3.2 230V DOMEL ASSY	⚠				
415	421941095441	MC V3 MOD=1,25 WORM SCREW CENTRING CAP	⚠				
416	996530012992	SCREW TCB TORX 3,5X30 PLAST.ZN-B					
417	421941154361	INSULATOR BUSH FOR GRINDER MOTOR P124					
418	421941144631	STEEL COF.GRINDER SUPPORT SPRING P124					
419	421944094591	BEAN CONT.FINGER PROT.NO WRIT OMN/B					
420	421940211281	STEEL FLAT WASHER DI=4,3 DE=14 SP=1,5					
422	421941142172	BLK COFFEEGRINDER MOTOR SUPP.P124 V2					
423	421941085872	COFFEE GRINDER SEAL P119 GRY 7035					
424	421940210461	RADIAL BEARING 61900.2RS1					
425	421941074111	STEEL CRINKLE WASHER 21,8X14X0,25					
426	421941082802	BLK UPPER BODY WITH COFFEE GROUND OUT.V2					
427	421941085671	BLK GROUND COF.CONT.UPPER SEAL SMART1					
428	421941153651	LOWER COFFEEGRINDER GEAR SUPPORT P124					
429	996530001308	COFFEEGRINDER REGULATION SPRING P124					
430	421941158461	COFFEE GRINDING ADJUSTMENT GEAR P0049					
431	421940212391	SCREW TCB TORX 3,5X30 PLAST.ZN-B					
432	421941153511	UPPER COFFEEGRINDER GEAR SUPPORT P124					
433	421940213371	SCREW TCB TORX 10 3,5X16 PLAST.ZN-B					
435	421944052341	BLW BEAN COFFEE GRINDER INSERT V2 SMR					
436	421940213291	SCREW TCB TORX 10 3X8 PLAST.ZN-B					
	4421945023911	GEN.MOTOR COF.GRINDER OMN 230V ASSY					

PHILIPS

EP 4000 CMF



PHILIPS

EP4341/50
EP4343/50
EP4343/70

EP4346/70
EP4349/70



Cod. 882879650011
Cod. 882880350011
Cod. 882880370011

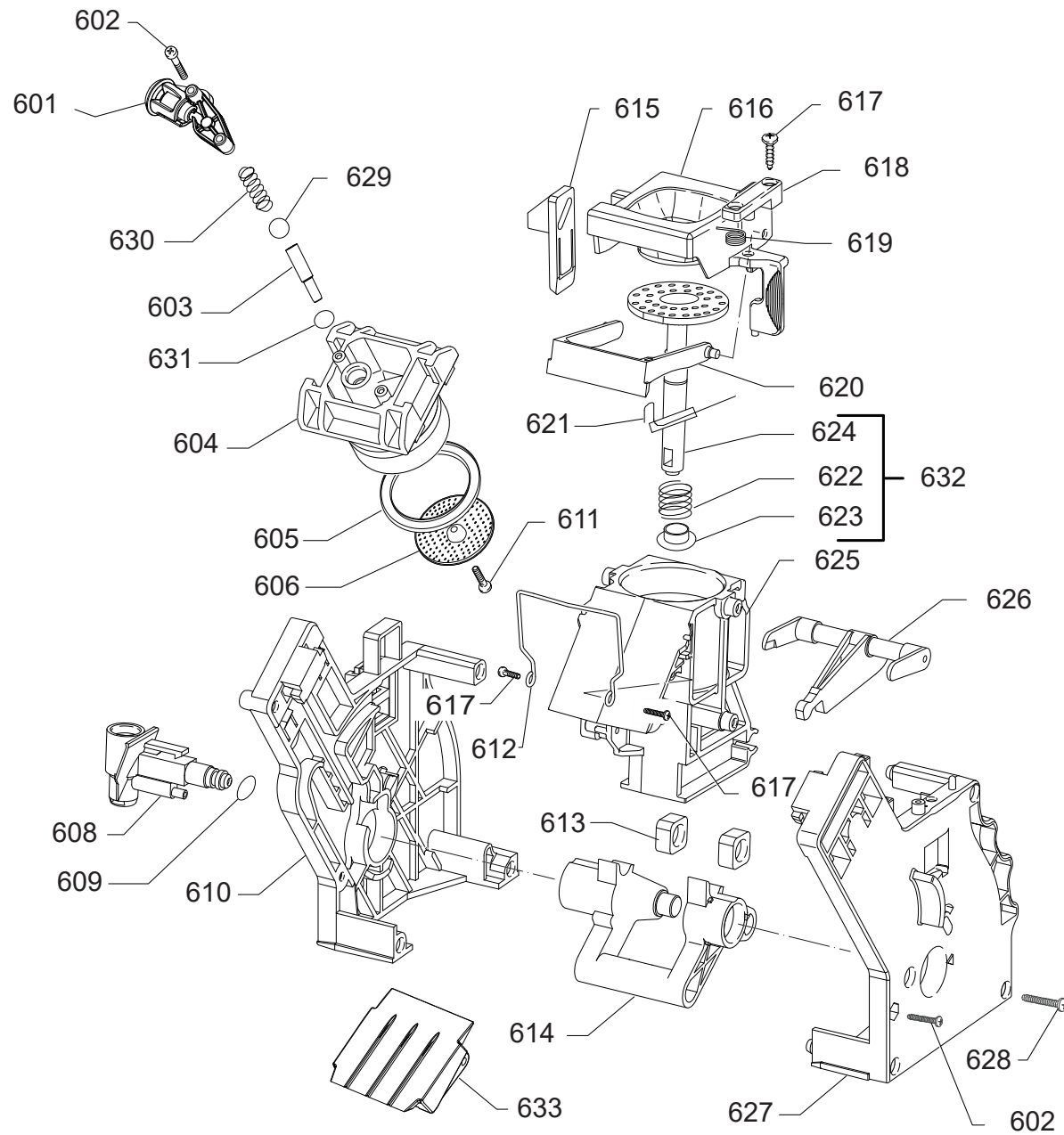
882880670011
882880970011

POS	12NC	DESCRIPTION	NOTE	POS	12NC	DESCRIPTION	NOTE
501	421945000221	ASSY PIN OF BOILER SMR					
502	421940213841	OR 2015 IN SILICONE PTFE/FDA					
503	421940206991	OOR ORM 0090-20 RED SILICONE					
504	421940207061	OR ORM 0050-20 IN RED SILICONE					
505	421940222961	SCREW TCBR TORX 10 3,5X12 PLAST.SS					
506	421944093341	BLK/YLW BREW UNIT 8GR 5BAR OMN					
507	421941060801	BRONZE SINTERED BUSH FOR MOTOR RATIOMOT.					
508	421941091701	BBAKELIZZATE WASHER D=5,5					
509	421941060781	ANTIVIBRATION FOR MOTOR					
510	421941165881	MOTOR FOR RATIOMOTOR P124 ASSY.	⚠				
511	421944082961	BREW UNIT MOTOR COVER OMN					
512	996530009913	SPARES KIT GEARS FOR RATIOMOTOR V2					
513	421941063631	MYLAR WASHER FOR RATIOMOTOR	⚠				

PHILIPS

EP 4000 CMF

TABLE 5/6



PHILIPS

EP4341/50
EP4343/50
EP4343/70

EP4346/70
EP4349/70



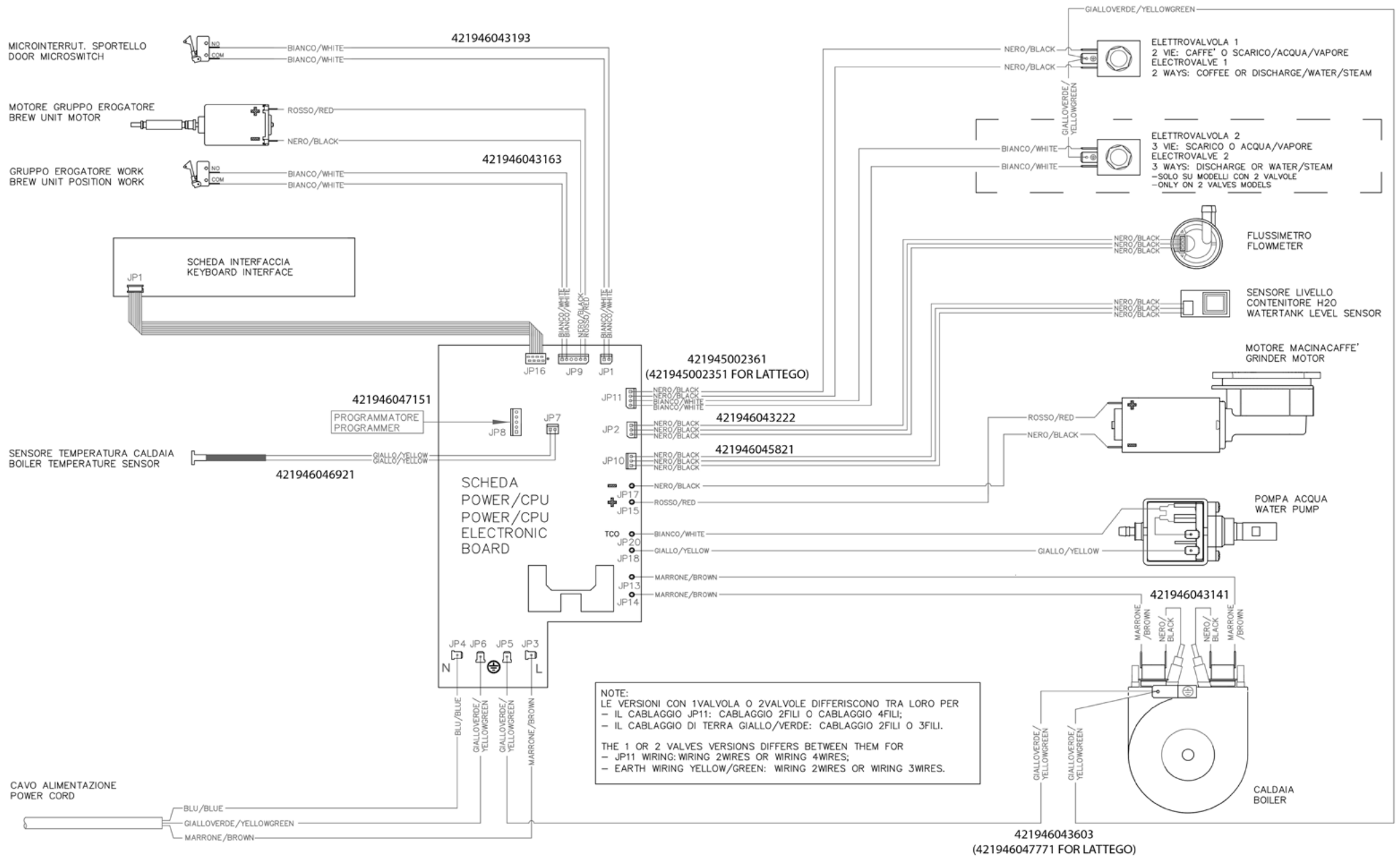
Cod. 882879650011
Cod. 882880350011
Cod. 882880370011

882880670011
882880970011

POS	12NC	DESCRIPTION	NOTE	POS	12NC	DESCRIPTION	NOTE
601	421944065222	BLK BREW UNIT COF.OUT.SLEEVE V2 SMR ASSY					
602	421940220181	SCREW TCB TORX 10 3X25 PLAST.SS					
603	421944079291	BLK BREW UN.COUNTER PISTON TUBE V2 S0053					
604	421944079991	BLK BREW UNIT 8GR.COUNTER PISTON V2 P124					
605	421940207011	OR ORM 0320-40 RED SILICONE PTFE/FDA					
606	421941064341	PERCOLATOR DE=35,8 ELFO					
608	421945002572	BREW NEU. UN.WATER INLET SLEEVE V5					
609	421940207151	OR 2025 NBR FDA					
610	421941065071	BLK BREW UNIT REAR PLATE SMART					
611	421940221121	SCREW TSP TORX 10 3X10 PLAST.SS					
612	421944025811	SS BREW UNIT SPRING H=49 PK					
613	421941063451	BLK BREW UNIT DRILLED BLOCK					
614	421944079201	YLW BREW UNIT ELBOW SHAFT V2 M5000					
615	421944046932	YLW BREW UNIT COUPLING PLATE V3 SMART					
616	421941095982	BLK BREW UNIT V3 SMART1 HOPPER DOSER					
617	421940213231	SCREW TCB TORX 10 3,5X14 PLAST.SS					
618	421941065051	BLK BREWUNIT HOPPER BLOCKING PLATE SMART					
619	421941065131	SS BREW UNIT HOPPER SPRING SMART					
620	421944079261	BLK BREW UNIT SCRAPER V2 M5000					
621	421941062941	SS BREW UNIT SCRAPER SPRING					
622	421941063841	SSS BREW UNIT 8GR.PISTON SPRING					
623	421941063791	WHT BREW UNIT 8GR.-12GR.PISTON BUSH					
624	421944079491	GRY BREW UNIT INTEGR.PISTON 8GR.V4 ASSY					
625	421944079431	BLK COF.CONTAIN.BREW UNIT V4 M5000 ASSY					
626	421941154931	BLK BREW UNIT 8GR.CONNECTING ROD					
627	421941170181	BLK BREW UNIT FRONT PLATE S/SCR.SMART					
628	421940221141	SCREW TCB TORX 10 3,5X20 PLAST.SS					
629	421944081491	BREW UNIT VALVE FTR/B					
630	421945001491	SS.CONICAL SPRING 6BAR					
631	421940207321	OR ORM 0060-10 NBR					
632	421944065811	GRY BREW UNIT 8GR.INT.PISTON GEN.V3 ASSY					
633	421945019401	BLK BREW UNIT CONVEYOR SLIDE L=56,3					
	421944093341	BLK/YLW BREW UNIT 8GR 5BAR OMN					

PHILIPS

EP 4000 CMF



PHILIPS

EP4341/50
EP4343/50
EP4343/70

EP4346/70
EP4349/70



Cod. 882879650011
Cod. 882880350011
Cod. 882880370011

882880670011
882880970011

POS	12NC	DESCRIPTION	NOTE	POS	12NC	DESCRIPTION	NOTE
	421946045821	3POLES CONN. WATER LEV. CAP. OMN UL					
	421946043222	3POLES CONN. FLOWMETER OMN UL					
	421946043141	1 WIRE CABLE BLACK BOILER OMN					
	421946043163	MICRO+MOTOR BREWUN. V2 OMN UL ASSY.					
	421946043193	CONN.MICROSW.DOOR V3 OMN UL ASSY.					
	421946043603	2 WIRES CABLE BOILER/VALVE EARTH OMN V3					
	421945002361	4P.CONN.1ELECTROV. OMN UL ASSY					
	421946047771	3WIRES CABLE BOILER/VAL./VAL. EARTH OMN					
	421945002351	4P.CONN.2ELECTROV. OMN UL ASSY					
	421946046921	TEMPERATURE SENSOR NTC OMN					
	421946047151	WIRING SERPROG OMN PROGRAMMER ASSY.					

PHILIPS

EP 4000 CMF

